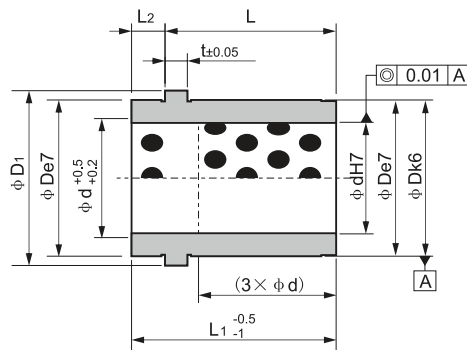


YCB050K 射出头自润导套 Ejector Guide Bushig



运动方向
↔



型号 Parts No.	d	L	L ₁	L ₂	t	D	Tolerance		D ₁	L ₁	
							e7	k6			
YCB050K-9x15	9	12	15	3	3	14	-0.032 -0.050	+0.012 +0.001	16	9	+0.015 0
YCB050K-9x20	"	17	20	"	"	"	"	"	"	"	"
YCB050K-9x25	"	22	25	"	"	"	"	"	"	"	"
YCB050K-9x30	"	27	30	"	"	"	"	"	"	"	"
YCB050K-9x39	"	36	39	"	"	"	"	"	"	"	"
YCB050K-10x15	10	12	15	"	"	"	"	"	10	"	"
YCB050K-10x20	"	17	20	"	"	"	"	"	"	"	"
YCB050K-10x25	"	22	25	"	"	"	"	"	"	"	"
YCB050K-10x30	"	27	30	"	"	"	"	"	"	"	"
YCB050K-10x39	"	36	39	"	"	"	"	"	"	"	"
YCB050K-14x26	14	17	26	9	6	20	-0.040 -0.061	+0.015 +0.002	25	14	+0.018 0
YCB050K-14x31	"	22	31	"	"	"	"	"	"	"	"
YCB050K-14x36	"	27	36	"	"	"	"	"	"	"	"
YCB050K-14x45	"	36	45	"	"	"	"	"	"	"	"
YCB050K-14x55	"	46	55	"	"	"	"	"	"	"	"
YCB050K-14x65	"	56	65	"	"	"	"	"	"	"	"
YCB050K-15x26	15	17	26	"	"	"	"	"	15	"	"
YCB050K-15x31	"	22	31	"	"	"	"	"	"	"	"
YCB050K-15x36	"	27	36	"	"	"	"	"	"	"	"
YCB050K-15x45	"	36	45	"	"	"	"	"	"	"	"
YCB050K-15x55	"	46	55	"	"	"	"	"	"	"	"
YCB050K-15x65	"	56	65	"	"	"	"	"	"	"	"
YCB050K-18x26	18	17	26	"	"	26	"	"	31	18	"
YCB050K-18x31	"	22	31	"	"	"	"	"	"	"	"
YCB050K-18x36	"	27	36	"	"	"	"	"	"	"	"
YCB050K-18x45	"	36	45	"	"	"	"	"	"	"	"
YCB050K-18x55	"	46	55	"	"	"	"	"	"	"	"
YCB050K-18x65	"	56	65	"	"	"	"	"	"	"	"
YCB050K-18x75	"	66	75	"	"	"	"	"	"	"	"
YCB050K-20x26	20	17	26	"	"	"	"	"	20	+0.021 0	"
YCB050K-20x31	"	22	31	"	"	"	"	"	"	"	"
YCB050K-20x36	"	27	36	"	"	"	"	"	"	"	"
YCB050K-20x45	"	36	45	"	"	"	"	"	"	"	"
YCB050K-20x55	"	46	55	"	"	"	"	"	"	"	"
YCB050K-20x65	"	56	65	"	"	"	"	"	"	"	"
YCB050K-20x75	"	66	75	"	"	"	"	"	"	"	"
YCB050K-22x26	22	17	26	"	"	30	"	"	35	22	"
YCB050K-22x31	"	22	31	"	"	"	"	"	"	"	"
YCB050K-22x36	"	27	36	"	"	"	"	"	"	"	"
YCB050K-22x45	"	36	45	"	"	"	"	"	"	"	"
YCB050K-22x55	"	46	55	"	"	"	"	"	"	"	"
YCB050K-22x65	"	56	65	"	"	"	"	"	"	"	"
YCB050K-22x75	"	66	75	"	"	"	"	"	"	"	"
YCB050K-22x85	"	76	85	"	"	"	"	"	"	"	"
YCB050K-22x95	"	86	95	"	"	"	"	"	"	"	"

型号 Parts No.	d	L	L ₁	L ₂	t	D	Tolerance		D ₁	L ₁	
							e7	k6			
YCB050K-24x26	24	17	26	9	6	30	-0.040 -0.061	+0.015 +0.002	35	24	+0.021
YCB050K-24x31	"	22	31	"	"	"	"	"	"	"	"
YCB050K-24x36	"	27	36	"	"	"	"	"	"	"	"
YCB050K-24x45	"	36	45	"	"	"	"	"	"	"	"
YCB050K-24x55	"	46	55	"	"	"	"	"	"	"	"
YCB050K-24x65	"	56	65	"	"	"	"	"	"	"	"
YCB050K-24x75	"	66	75	"	"	"	"	"	"	"	"
YCB050K-24x85	"	76	85	"	"	"	"	"	"	"	"
YCB050K-24x95	"	86	95	"	"	"	"	"	"	"	"
YCB050K-30x36	30	27	36	"	"	42	-0.050 -0.048	"	47	30	"
YCB050K-30x45	"	36	45	"	"	"	"	"	"	"	"
YCB050K-30x55	"	46	55	"	"	"	"	"	"	"	"
YCB050K-30x65	"	56	65	"	"	"	"	"	"	"	"
YCB050K-30x75	"	66	75	"	"	"	"	"	"	"	"
YCB050K-30x85	"	76	85	"	"	"	"	"	"	"	"
YCB050K-30x95	"	86	95	"	"	"	"	"	"	"	"
YCB050K-30x105	"	96	105	"	"	"	"	"	"	"	"
YCB050K-30x125	"	116	125	"	"	"	"	"	"	"	"
YCB050K-32x36	32	27	36	"	"	"	"	"	"	32	+0.025
YCB050K-32x45	"	36	45	"	"	"	"	"	"	"	"
YCB050K-32x55	"	46	55	"	"	"	"	"	"	"	"
YCB050K-32x65	"	56	65	"	"	"	"	"	"	"	"
YCB050K-32x75	"	66	75	"	"	"	"	"	"	"	"
YCB050K-32x85	"	76	85	"	"	"	"	"	"	"	"
YCB050K-32x95	"	86	95	"	"	"	"	"	"	"	"
YCB050K-32x105	"	96	105	"	"	"	"	"	"	"	"
YCB050K-32x125	"	116	125	"	"	"	"	"	"	"	"
YCB050K-40x68	40	56	68	12	10	54	-0.060 -0.090	+0.021 +0.002	60	40	"
YCB050K-40x78	"	66	78	"	"	"	"	"	"	"	"
YCB050K-40x88	"	76	88	"	"	"	"	"	"	"	"
YCB050K-40x98	"	86	98	"	"	"	"	"	"	"	"
YCB050K-40x108	"	96	108	"	"	"	"	"	"	"	"
YCB050K-40x128	"	116	128	"	"	"	"	"	"	"	"
YCB050K-40x148	"	136	148	"	"	"	"	"	"	"	"
YCB050K-40x168	"	156	168	"	"	"	"	"	"	"	"
YCB050K-42x68	42	56	68	"	"	"	"	"	"	42	"
YCB050K-42x78	"	66	78	"	"	"	"	"	"	"	"
YCB050K-42x88	"	76	88	"	"	"	"	"	"	"	"
YCB050K-42x98	"	86	98	"	"	"	"	"	"	"	"
YCB050K-42x108	"	96	108	"	"	"	"	"	"	"	"
YCB050K-42x128	"	116	128	"	"	"	"	"	"	"	"
YCB050K-42x148	"	136	148	"	"	"	"	"	"	"	"
YCB050K-42x168	"	156	168	"	"	"	"	"	"	"	"